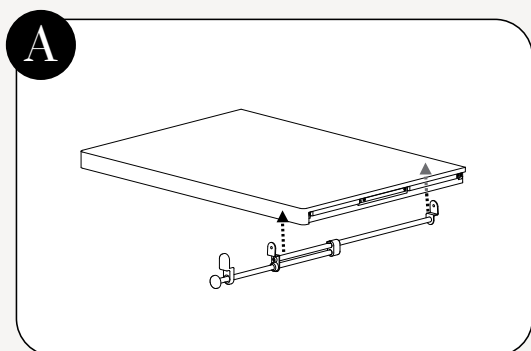


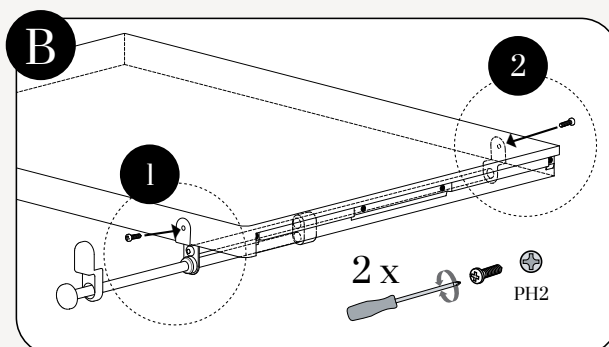
## ASSEMBLY INSTRUCTION

# DÉCOR EXPANDABLE VALET ROD

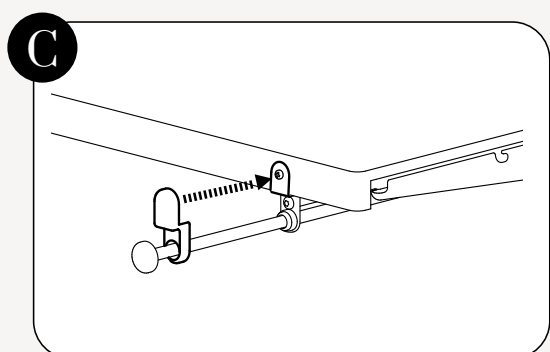
art. no 611830



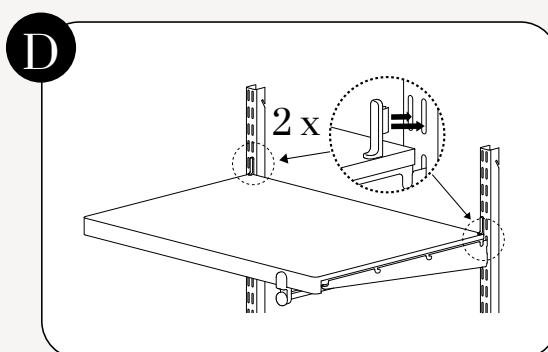
Put the Expandable Valet rod in a suitable position onto the front and rear edge of the Décor Shelf 40 cm depth. To prevent marks, do not pull it sideward once positioned.



Use screwdriver (PH2). Screw the first screw in the front edge of the shelf (1), then the second screw in the rear edge (2).



Push and click in the cover plate over the screw in the front edge of the shelf.



Click in the Décor shelf into the brackets and attach the 2 safety clips, one in each Hang standard according to the picture.